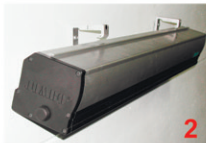


## ▶▶ FIXING



Select wall or ceiling environment fit in with screen to install levelly the movable brackets for slide-rail system.



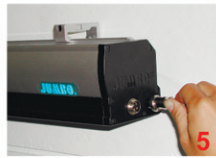
Put the screen on directly after slide-rail system for movable brackets were locked up.



Tighten screw of the movable hook in the both sides bracket by hexagon spanner.

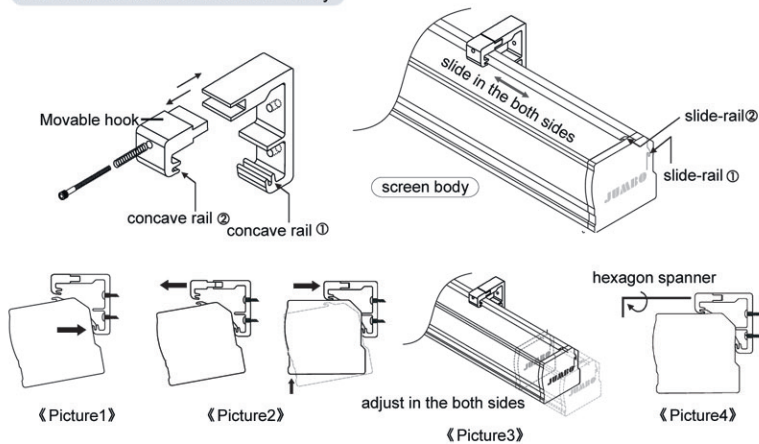


Take out the movable hook from upper bracket, and separately put it into the upper rail of screen body.



Connect power wire and control wire, that is, it has installed successfully.

### Slide-rail system for movable bracket and the illustration of screen body



## ▶▶ FIXING

### ③ Motor setting

▶ Motor setting is divided into two kinds of controls such as up **A** and down **B** setting.  
Below the screen, the outlet of the screen has red and white circle holes.  
Please use the hexagon spanner with our compliments to adjust the upper limit and lower limit.

#### UP **A** Upper setting (Please do not set if it is not necessary)

1. The red circle hole approaches the outlet of the front of the fabric.
2. A is the setting of the upper limit which is divided into A+ and A-.
3. When you rotate toward the direction of A+, the screen has less range of ascending.
4. When you rotate toward the direction of A-, the screen has more range of ascending.
5. Rotate a circle in the same direction each time, the screen will have the distance of 2.5 centimeter.

#### DOWN **B** Lower setting (Please do not set if it is not necessary)

1. The white circle hole is positioned in the front place of the screen.
2. B is the setting of the lower limit which is divided into B+ and B-.
3. When you rotate toward the direction of B+, the screen has more range of descending.
4. When you rotate toward the direction of B-, the screen has less range of descending.
5. Rotate a circle in the same direction each time, the screen will have the distance of 2.5 centimeter.

#### The illustration of motor setting

(When you set the motor, you do not need to dismantle the outer shell of the screen, and just use the hexagon spanner such as attachment.)

## ▶▶ FIXING

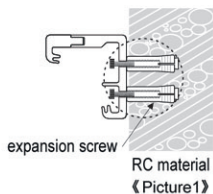
### ① installation for wall-mount style

#### STEP 1 ▶ attention event

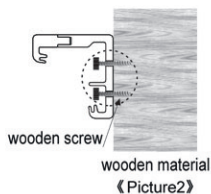
Material for installation wall and choosing suitable accessory

#### ▶ installation way

- 1 Please be sure using the expansion screw while your fixed wall is RC material.  
After fixing the expansion screw in the wall, then bolt the fixed screw.
- 2 Please be sure using wooden screw while your fixed wall is wooden material.

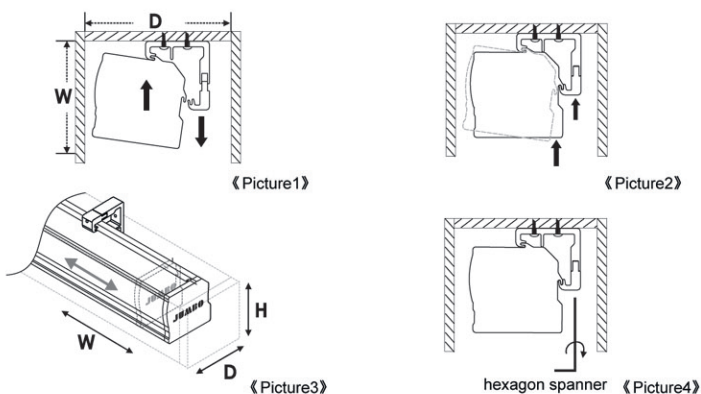


RC material  
《Picture1》

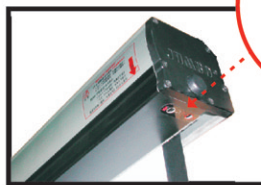


wooden material  
《Picture2》

#### Installation illustration for hanger-style screen



#### Axis Motor



hexagon spanner



Picture ①

1. When you rotate toward the direction of A+, the screen has less range of ascending.
2. When you rotate toward the direction of A-, the screen has more range of ascending.



lower limit

Picture ②

1. When you rotate toward the direction of B+, the screen has more range of descending.
2. When you rotate toward the direction of B-, the screen has less range of descending.

## ▶▶ TROUBLESHOOTING

#### Precaution of the installation and setting

- Does your screen need any maintenance?  
Please see the following items first you are likely to meet before maintaining. By means of your basic maintenance, you will solve the problem and make the machine work out.
1. check if the power cord has been inserted.
  2. check if the main controller has been locked.
  3. check if the remote control has enough power.
  4. check if the ultraviolet ray of the receiver of the screen controller has been covered by dust.
  5. check if the ultraviolet ray of the transmitter of the screen controller has been covered by dust.
  6. check if the frequency of the remote control has been changed.
  7. check if the fuss inside the remote controller has been burned out.
  8. check if the position of the wire harness connecting the circuit is correct or the circuit is damaged.